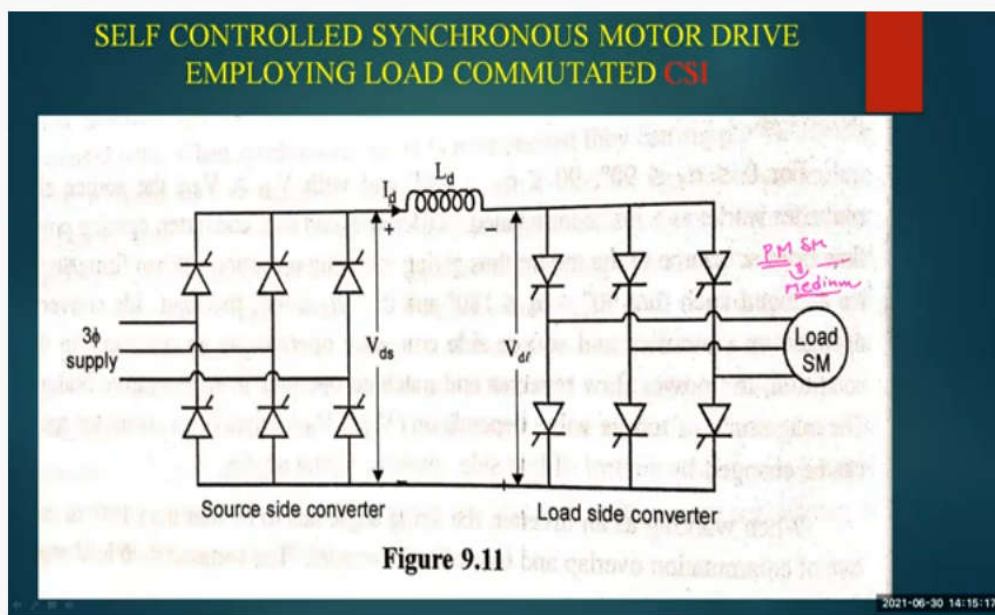




**DEPARTMENT OF ELECTRICAL AND ELECTRONICS ENGINEERING**  
**M.E., POWER ELECTRONICS & DRIVES**  
Activity Supports Employability/Entrepreneurship/Skill Development

**Course Code** : 19PPE201  
**Course Name** : Electric Drives System  
**Academic Year** : 2020 – 2021 (EVEN) Year/Sem: I/II

<b>Category</b>	Employability
<b>Activity</b>	Animated Videos on Electric Drives
<b>Topic</b>	Self Controlled Synchronous Motor Drive Employing Load Commutated CSI



*Animated Videos on Motor Drives*

<b>Outcome</b>	It helps the students to understand the practical scenario in Synchronous Motor Drive and helps to get an exposure about the advanced software and technologies which will lead to increase the employability of students.
----------------	--

*[Handwritten signature]*

**Course Instructor**

*[Handwritten signature]*

**PG Head**